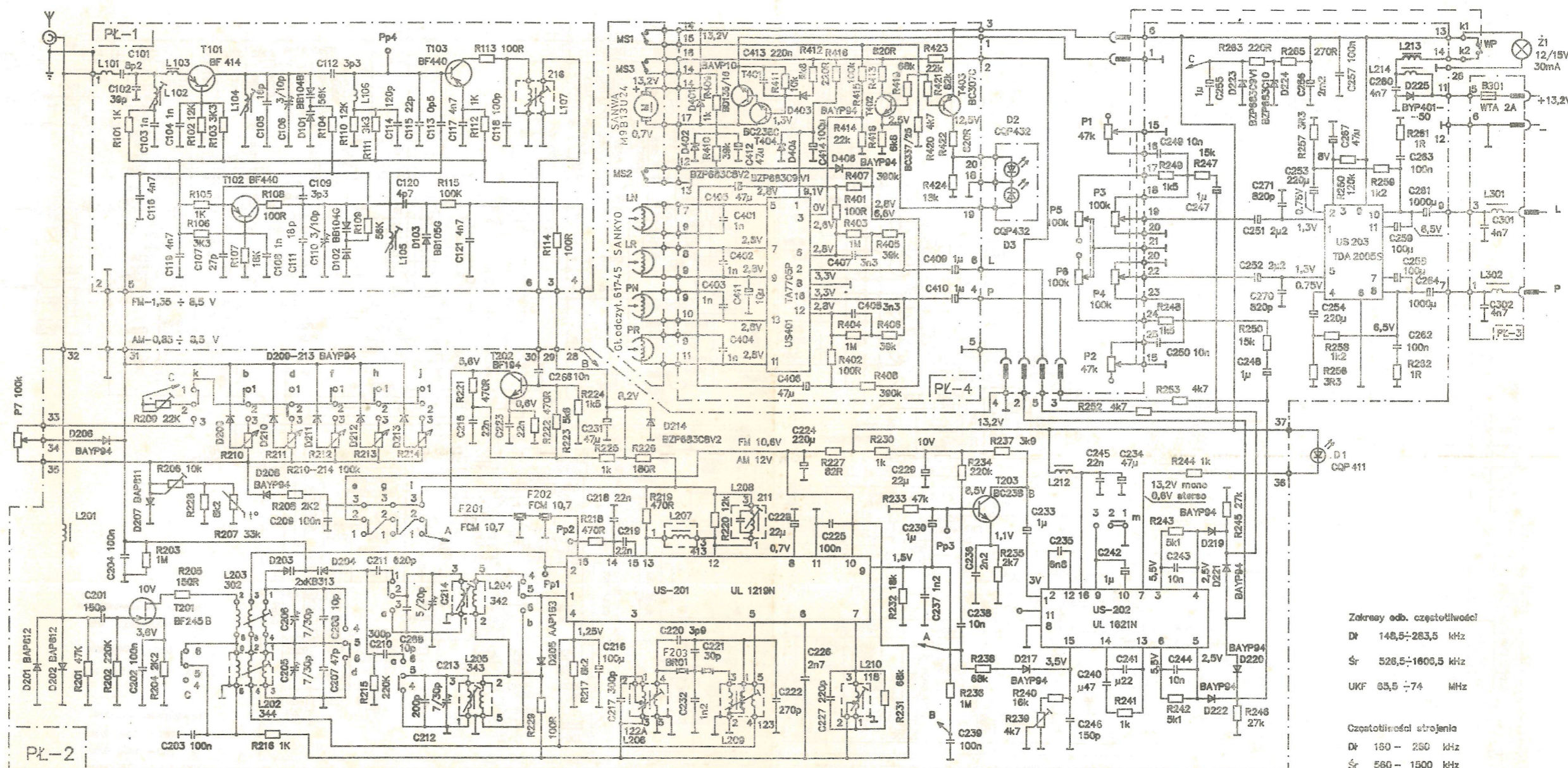
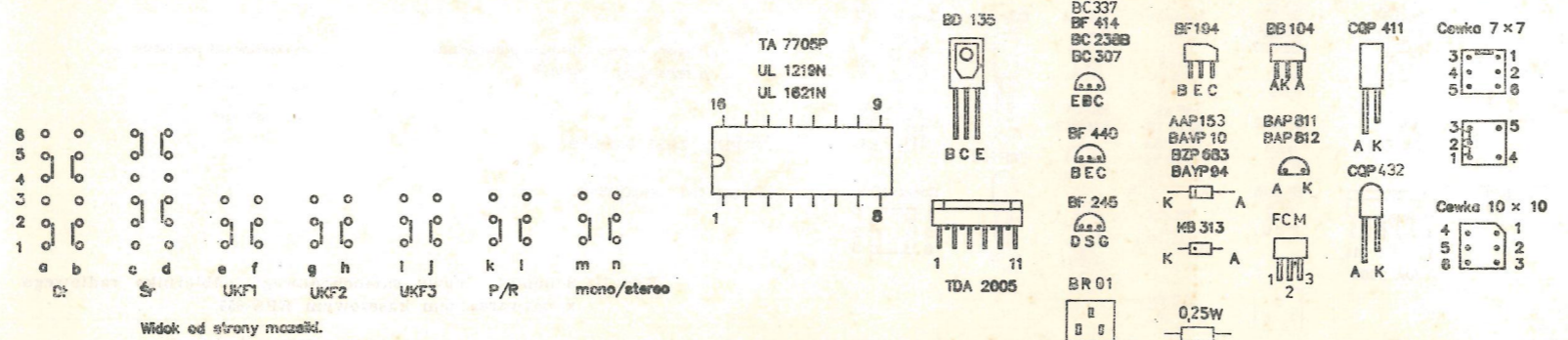


|   |     |     |     |     |     |     |     |     |     |     |     |     |
|---|-----|-----|-----|-----|-----|-----|-----|-----|-----|-----|-----|-----|
| R | 101 | 208 | 228 | 207 | 215 | 218 | 401 | 403 | 414 | 408 | 249 | 258 |
| C | 201 | 101 | 103 | 104 | 107 | 105 | 228 | 217 | 223 | 218 | 248 | 257 |
|   | 102 | 204 | 116 | 119 | 108 | 106 | 114 | 224 | 224 | 225 | 243 | 256 |
|   | 202 | 202 | 203 | 203 | 205 | 205 | 225 | 226 | 226 | 218 | 242 | 255 |
|   |     |     |     |     |     |     | 226 | 218 | 220 | 221 | 247 | 256 |
|   |     |     |     |     |     |     | 216 | 219 | 401 | 403 | 244 | 256 |
|   |     |     |     |     |     |     | 231 | 231 | 402 | 404 | 244 | 257 |
|   |     |     |     |     |     |     |     |     | 403 | 411 | 245 | 258 |
|   |     |     |     |     |     |     |     |     | 404 |     | 249 | 258 |
|   |     |     |     |     |     |     |     |     |     |     | 250 | 260 |
|   |     |     |     |     |     |     |     |     |     |     | 251 | 260 |
|   |     |     |     |     |     |     |     |     |     |     | 252 | 260 |
|   |     |     |     |     |     |     |     |     |     |     | 253 | 260 |
|   |     |     |     |     |     |     |     |     |     |     | 254 | 260 |
|   |     |     |     |     |     |     |     |     |     |     | 255 | 260 |
|   |     |     |     |     |     |     |     |     |     |     | 256 | 260 |
|   |     |     |     |     |     |     |     |     |     |     | 257 | 260 |
|   |     |     |     |     |     |     |     |     |     |     | 258 | 260 |
|   |     |     |     |     |     |     |     |     |     |     | 259 | 260 |
|   |     |     |     |     |     |     |     |     |     |     | 260 | 260 |
|   |     |     |     |     |     |     |     |     |     |     | 261 | 261 |
|   |     |     |     |     |     |     |     |     |     |     | 262 | 261 |
|   |     |     |     |     |     |     |     |     |     |     | 263 | 261 |
|   |     |     |     |     |     |     |     |     |     |     | 264 | 261 |
|   |     |     |     |     |     |     |     |     |     |     | 265 | 261 |
|   |     |     |     |     |     |     |     |     |     |     | 266 | 261 |
|   |     |     |     |     |     |     |     |     |     |     | 267 | 261 |
|   |     |     |     |     |     |     |     |     |     |     | 268 | 261 |
|   |     |     |     |     |     |     |     |     |     |     | 269 | 261 |
|   |     |     |     |     |     |     |     |     |     |     | 270 | 261 |
|   |     |     |     |     |     |     |     |     |     |     | 271 | 261 |
|   |     |     |     |     |     |     |     |     |     |     | 272 | 261 |
|   |     |     |     |     |     |     |     |     |     |     | 273 | 261 |
|   |     |     |     |     |     |     |     |     |     |     | 274 | 261 |
|   |     |     |     |     |     |     |     |     |     |     | 275 | 261 |
|   |     |     |     |     |     |     |     |     |     |     | 276 | 261 |
|   |     |     |     |     |     |     |     |     |     |     | 277 | 261 |
|   |     |     |     |     |     |     |     |     |     |     | 278 | 261 |
|   |     |     |     |     |     |     |     |     |     |     | 279 | 261 |
|   |     |     |     |     |     |     |     |     |     |     | 280 | 261 |
|   |     |     |     |     |     |     |     |     |     |     | 281 | 261 |
|   |     |     |     |     |     |     |     |     |     |     | 282 | 261 |
|   |     |     |     |     |     |     |     |     |     |     | 283 | 261 |
|   |     |     |     |     |     |     |     |     |     |     | 284 | 261 |
|   |     |     |     |     |     |     |     |     |     |     | 285 | 261 |
|   |     |     |     |     |     |     |     |     |     |     | 286 | 261 |
|   |     |     |     |     |     |     |     |     |     |     | 287 | 261 |
|   |     |     |     |     |     |     |     |     |     |     | 288 | 261 |
|   |     |     |     |     |     |     |     |     |     |     | 289 | 261 |
|   |     |     |     |     |     |     |     |     |     |     | 290 | 261 |
|   |     |     |     |     |     |     |     |     |     |     | 291 | 261 |
|   |     |     |     |     |     |     |     |     |     |     | 292 | 261 |
|   |     |     |     |     |     |     |     |     |     |     | 293 | 261 |
|   |     |     |     |     |     |     |     |     |     |     | 294 | 261 |
|   |     |     |     |     |     |     |     |     |     |     | 295 | 261 |
|   |     |     |     |     |     |     |     |     |     |     | 296 | 261 |
|   |     |     |     |     |     |     |     |     |     |     | 297 | 261 |
|   |     |     |     |     |     |     |     |     |     |     | 298 | 261 |
|   |     |     |     |     |     |     |     |     |     |     | 299 | 261 |
|   |     |     |     |     |     |     |     |     |     |     | 300 | 261 |
|   |     |     |     |     |     |     |     |     |     |     | 301 | 261 |
|   |     |     |     |     |     |     |     |     |     |     | 302 | 261 |



Zakresy odb. częstotliwości  
 Dł 148,5-283,5 kHz  
 Śr 528,5-1606,5 kHz  
 UKF 65,5 - 74 MHz

Częstotliwości strojenia  
 Dł 160 - 260 kHz  
 Śr 560 - 1500 kHz  
 UKF 65,5 - 74 MHz



Uwaga:  
 1. Pomiary napięć wykonano przyrządem o rezystancji > 1MΩ/V.

Zmiany zastrzeżone  
 Minus na obudowie.

Rys. 10: Schemat ideowy samochodowych odbiorników radiowych z odtwarzaczem kasetowym RPS-650; RPS-652; RPS-653; RPS-654